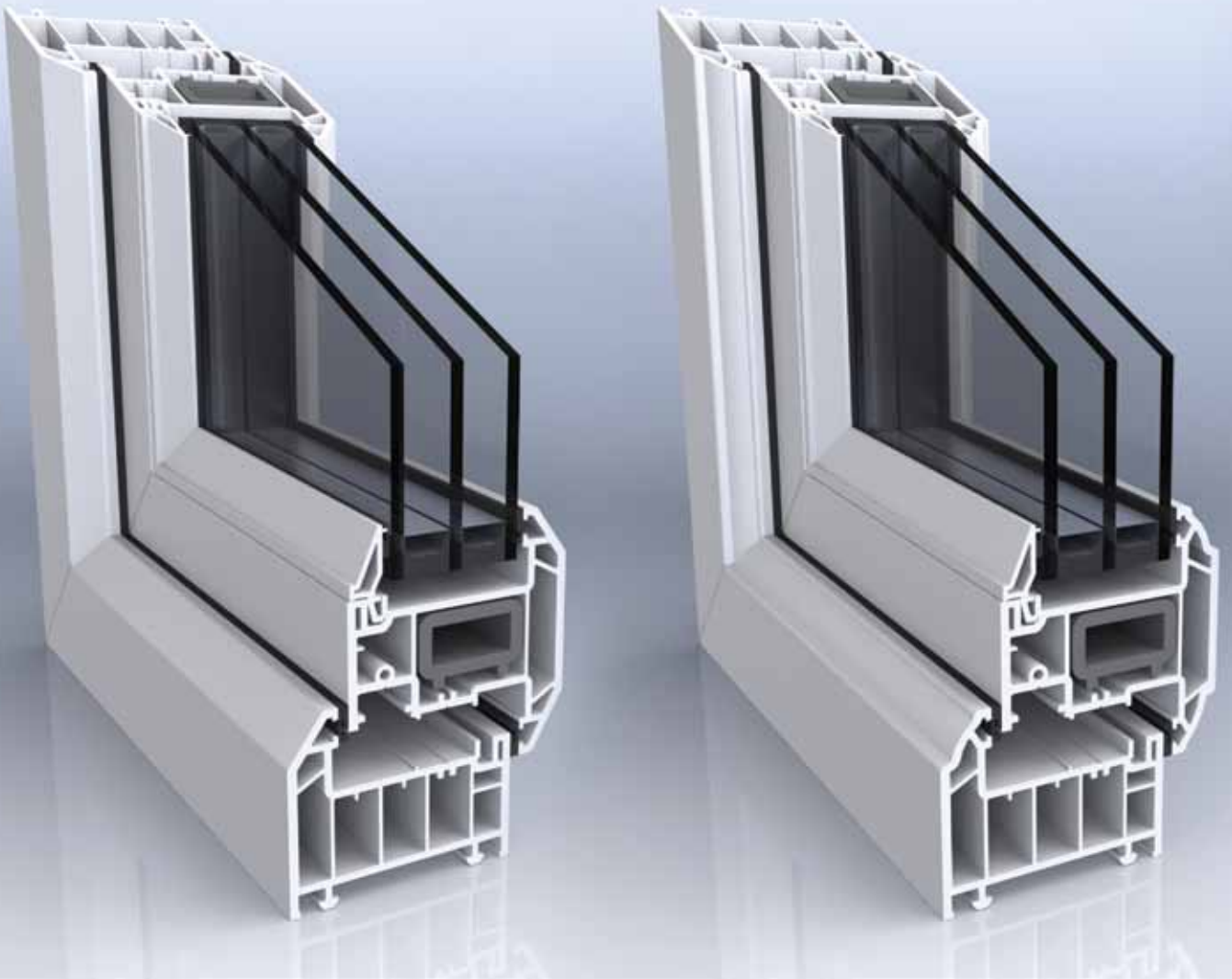


Triple glazing bead

for optimum energy efficiency



Triple glazing bead enables you to produce **energy efficient windows** with a U-value of 0.8*

legend70
Chamfered & Ovolo

 synseal®

Tel: 01623 443200 www.synseal.com

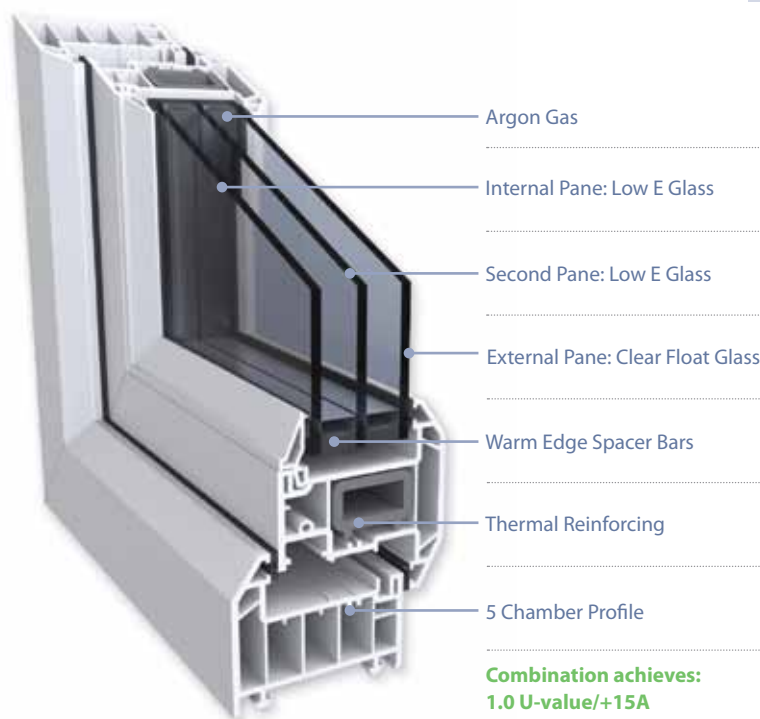
Triple glazing bead

for optimum energy efficiency

Triple glazed windows offer optimum energy efficiency and value for money, making your customers' homes warm and their energy bills low, and with an extra pane of glass and an extra 14mm cavity it's quieter too.

As the window has a third pane of glass, the unit is much harder to break than the double glazed unit, especially when the middle pane is made of toughened glass. Synseal's triple glazing bead option can accommodate a 40mm unit in Legend.

- Capable of achieving a U-value of 0.8* or less
- Improved acoustic performance
- Available in White, 3 Woodgrains and 13 Artisan colours



Combination achieves:
1.0 U-value/+15A

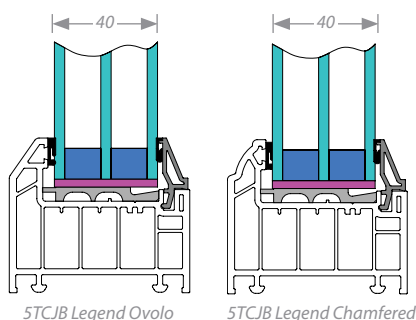
Argon Gas	Argon Gas	Argon Gas
Internal Pane: Low E Glass	Internal Pane: Planitherm Total+	Internal Pane: Planitherm ONE
Second Pane: Low E Glass	Second Pane: Planitherm Total+ Toughened Glass	Second Pane: Planitherm ONE Toughened Glass
External Pane: Clear Float Glass	External Pane: Clear Float Glass	External Pane: Clear Float Glass
Warm Edge Spacer Bars	Warm Edge Spacer Bars	Warm Edge Spacer Bars
Thermal Reinforcing	Thermal Reinforcing	Thermal Reinforcing
5 Chamber Profile	5 Chamber Profile	5 Chamber Profile

Combination achieves:
0.9 U-value

Combination achieves:
0.8* U-value

* Thermal glazing bridge packer required.

Code	Description	Length	Pack Size
5TCJB	Legend Triple Glazing Bead	6m	20



Glazing Packers

Code	Description	Pack Size
SH6140	2mm Black 40mm Glazing Packer	1000
SH6240	3mm White 40mm Glazing Packer	1000
SH6340	4mm Grey 40mm Glazing Packer	1000
SH6440	5mm Blue 40mm Glazing Packer	1000



Synseal Extrusions Ltd. Common Road,
Huthwaite, Nottinghamshire, NG17 6AD

Tel: 01623 443200 www.synseal.com

We reserve the right to alter specifications and descriptions without prior notice as part of our policy of continuous development. E&OE.