

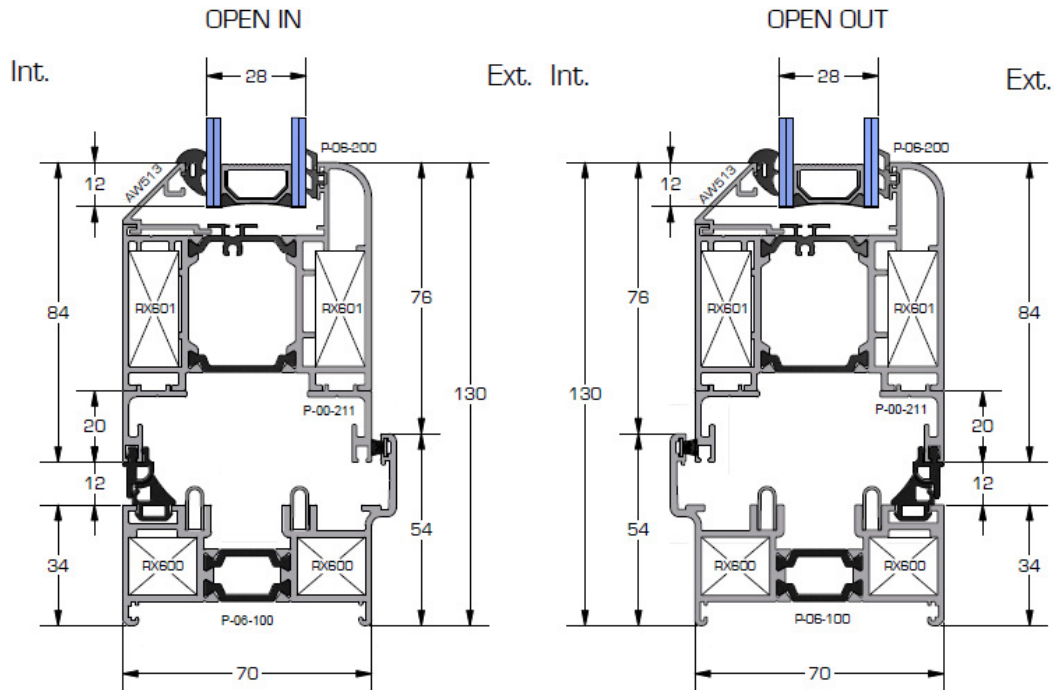


Bi-Folding Door Jamb Details

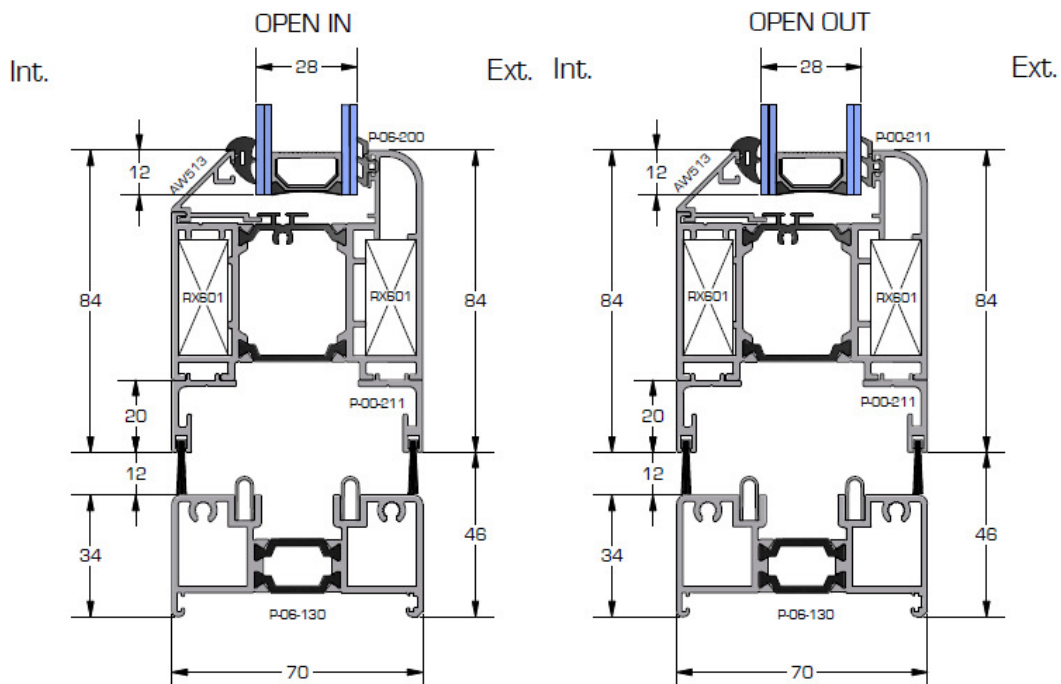
Below you will find technical drawings of some of the most common frame and hinge jamb details for our Bi-Folding door system. These are not all of the jamb details, just a selection of the most commonly requested and referred to. If you require a specific drawing or measurements, or want to clarify anything, please contact our office on (01793) 541154 you

can also email us on sales@directwindows.co.uk we will be happy to assist you!

Normal Threshold



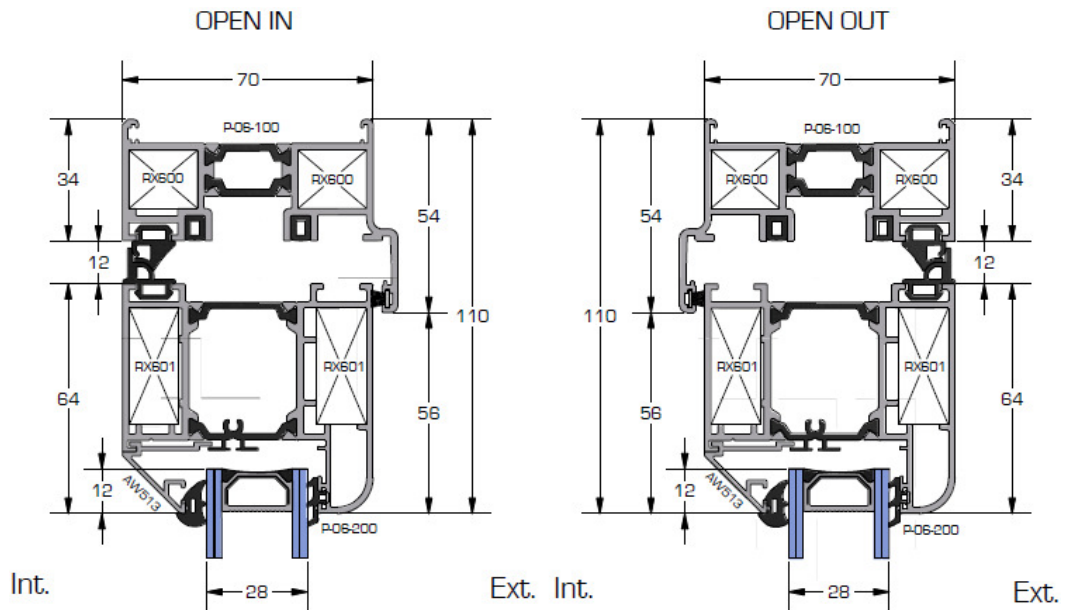
Low Threshold (Not Weather Tight / Disclaimer Required)



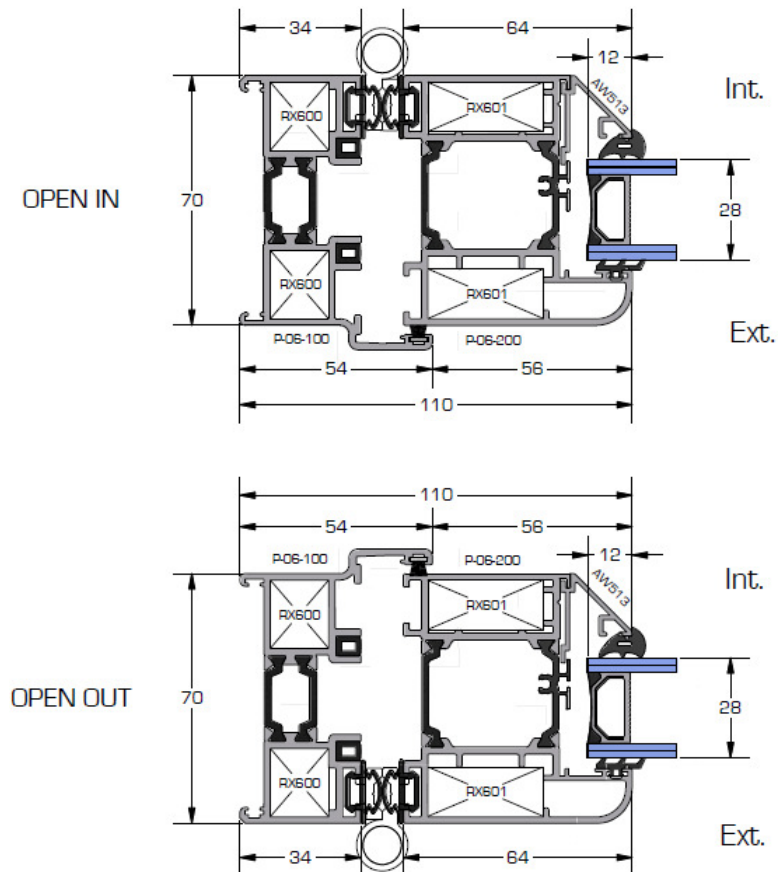


Bi-Folding Door Jamb Details

Top Track Jamb Detail



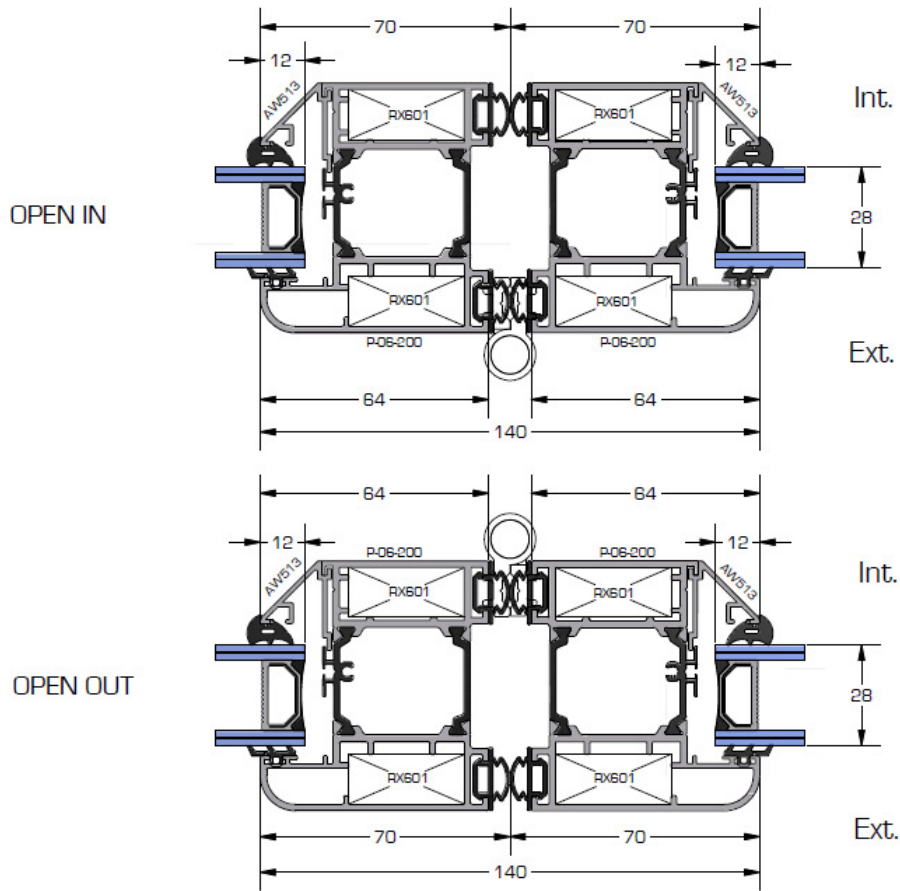
Sash To Hinge Jamb Detail





Bi-Folding Door Jamb Details

Sash To Sash Jamb Detail



150mm Cill Cross Section Detail

